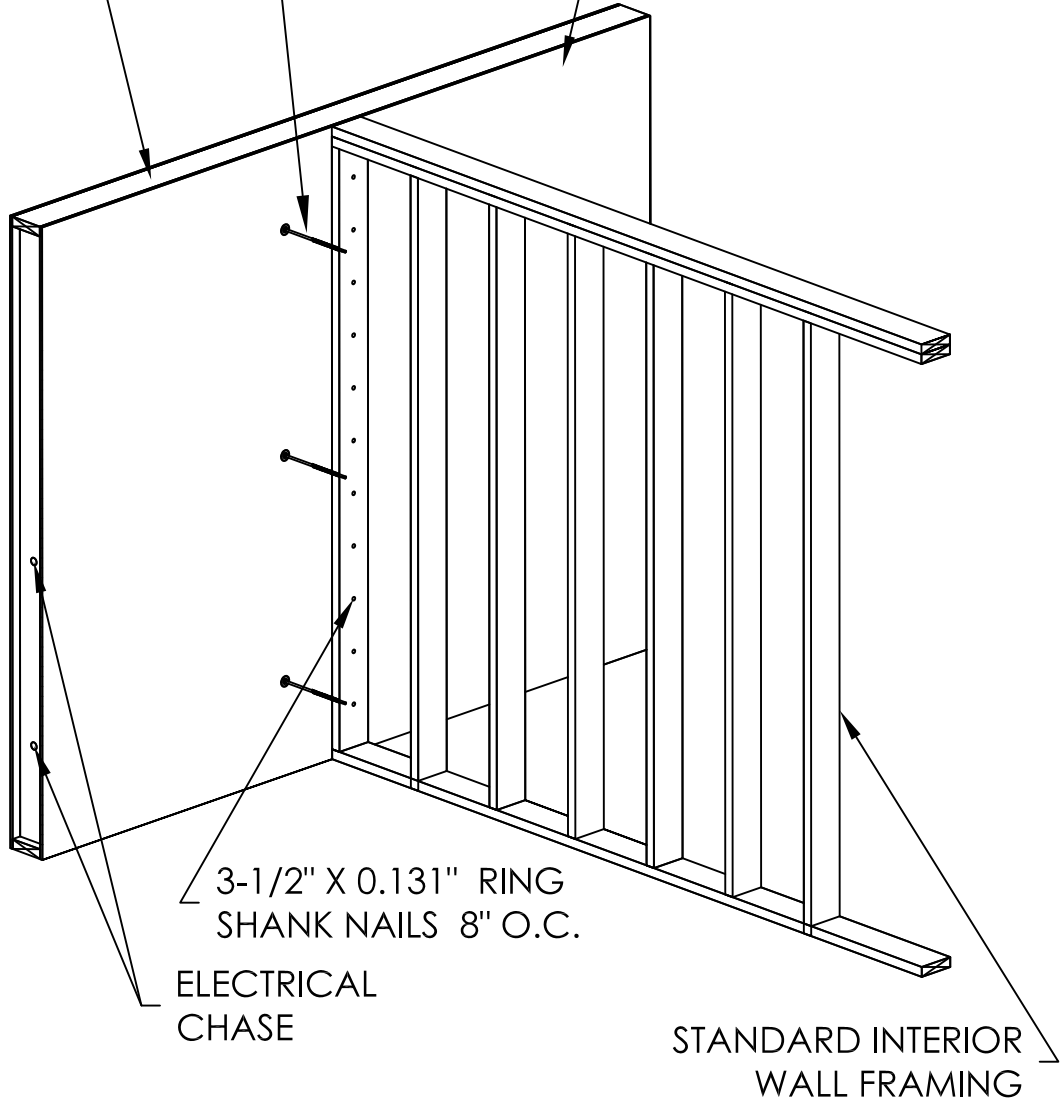


SIPTP SCREW (W/ WASHER) 1 1/2"
LONGER THAN PANEL THICKNESS
36" O.C.

TOP PLATE

SIP WALL PANEL



3-1/2" X 0.131" RING
SHANK NAILS 8" O.C.

ELECTRICAL
CHASE

STANDARD INTERIOR
WALL FRAMING

BOTTOM PLATE

ALL FASTENERS SHOWN ARE MINIMUM REQUIREMENTS AND MAY BE CHANGED BY THE ENGINEER OF RECORD TO MEET DESIGN REQUIREMENTS.

UNLESS OTHERWISE NOTED, ANY AND ALL LUMBER AND ENGINEERED LUMBER TO BE PROVIDED BY OTHERS.

CONSTRUCTION DETAILS MAY SHOW ITEMS THAT ARE NOT SUPPLIED BY PORTERCORP. FASTENING OF MATERIALS NOT SUPPLIED BY PORTERCORP IS THE RESPONSIBILITY OF THE INSTALLER. PLEASE CONTACT YOUR SALES REPRESENTATIVE IF YOU HAVE ANY QUESTIONS ABOUT YOUR ORDER.

SIP INSTALLER IS RESPONSIBLE FOR THE PROPER INSTALLATION OF PANELS. THIS IS AN ENGINEERED SYSTEM. FAILURE TO FOLLOW ALL CONSTRUCTION DETAILS AND INFORMATION IN FASTENER SCHEDULE WILL VOID THE PORTERSIP WARRANTY. PLEASE CONTACT PORTERCORP WITH ANY QUESTIONS.

SIP TAPE IS APPLIED TO THE PREDOMINANTLY WARM OF THE JOINT. INSIDE IN NORTHERN, COLDER CLIMATES; OUTSIDE IN SOUTHERN, WARMER CLIMATES.

PORTERcorp

Manufacturers of PorterSIPs®

4240 N. 136th Ave phone. 616.399.1963
Holland, MI 49424 fax. 616.928.0076

W-3

ISOMETRIC OF INTERIOR
WALL CONNECTION

CONFIDENTIAL DRAWING INFORMATION CONTAINED HEREIN IS THE PROPERTY OF PORTERCORP. DRAWING IS NOT TO BE COPIED OR DISCLOSED TO OTHERS WITHOUT THE CONSENT OF PORTERCORP.